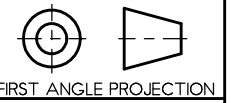


DO NOT SCALE - IF IN DOUBT ASK

ALL DIMENSIONS ARE IN MILLIMETRES UNLESS STATED OTHERWISE



MEMBRANE INFLATION LEAK DETECTOR

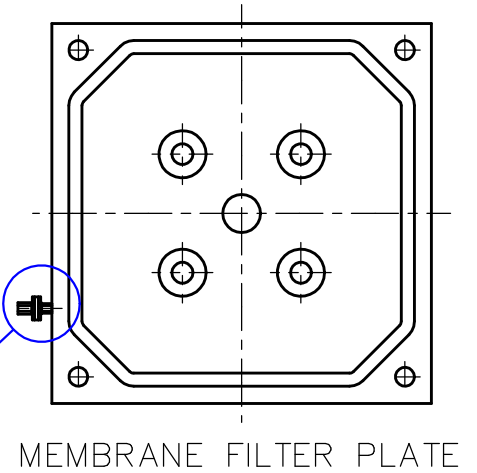
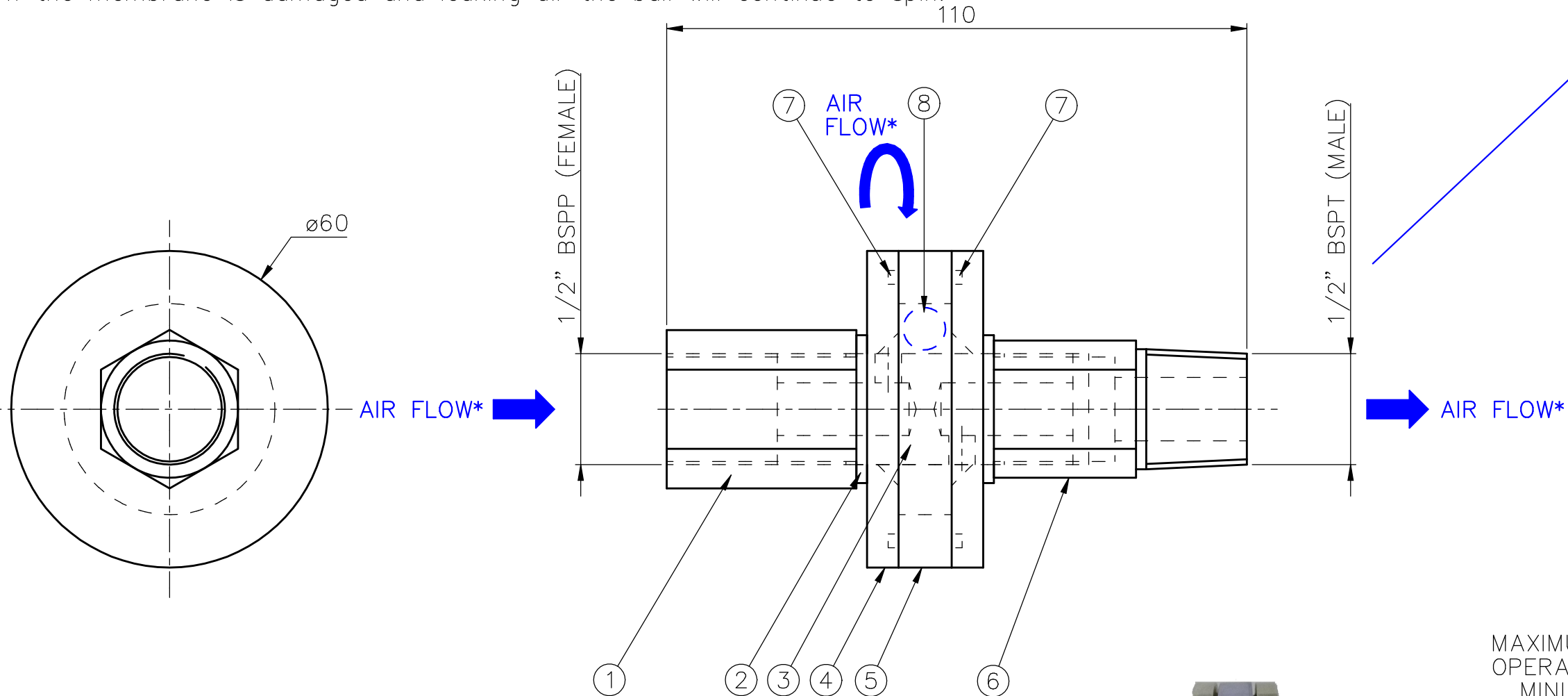
Designed to monitor the membrane squeeze on a filter press.  
They detect any membrane leakages immediately and indicate the squeeze status of the filter cake.

During the squeezing process, when the membrane is inflating the ball rotates.

When the compression is complete, the ball stops spinning.

If the membrane is still squeezing the ball will continue to spin.

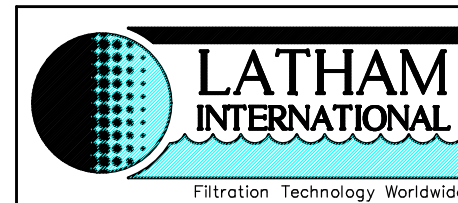
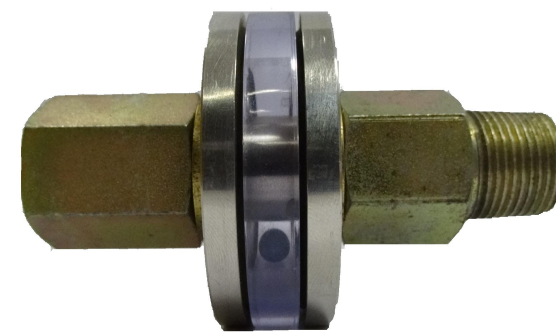
If the membrane is damaged and leaking air the ball will continue to spin.



MAXIMUM OPERATING PRESSURE: 30 BAR  
OPERATING TEMPERATURE RANGE:  
MINIMUM: 30°C  
MAXIMUM PEAK: 120 C  
MAXIMUM CONTINUOUS: 100°C

\*AIR FLOW CAN BE REVERSED

ITEM	QTY	DESCRIPTION	MATERIAL
1	1	1/2" BARREL NUT	MILD STEEL, ZINC PLATED
2	2	SELF CENTRING SEAL	MILD STEEL, ZINC PLATED, NITRILE
3	1	FEED PIPE	STAINLESS STEEL (304)
4	2	CLAMPING RING	STAINLESS STEEL (304)
5	1	CLEAR RING	SAN
6	1	1/2" MALE/FEMALE ADAPTOR	MILD STEEL, ZINC PLATED
7	2	O' RING	NITRILE
8	1	INDICATOR BALL	POLYPROPYLENE (BLUE)



LATHAM INTERNATIONAL  
ROWHURST CLOSE INDUSTRIAL ESTATE  
CHESTERTON, NEWCASTLE-UNDER-LYME  
STAFFORDSHIRE  
ST5 6BD  
TEL: +44 (0) 1782 565364  
FAX: +44 (0) 1782 564886  
E-MAIL: info@lathaminternational.com

MOD.	REVISION	DATE	THIS DRAWING IS THE SOLE PROPERTY OF LATHAM INTERNATIONAL LIMITED AND MUST NOT BE COPIED OR DISCLOSED TO A THIRD PARTY WITHOUT THE WRITTEN CONSENT OF LATHAM INTERNATIONAL	TOLERANCES UNLESS STATED OTHERWISE M/C +/- 0.25mm (0.01") FAB +/- 1.50mm (0.06") SURFACE FINISH UNLESS STATED $\sqrt{1.6}$	MATERIAL FINISH QUANTITY NOTES	TITLE MEMBRANE AIR FLOW INDICATOR										
						<table border="1"> <tr> <td>DRAWN</td> <td>L.W</td> <td rowspan="4">SCHEME</td> <td rowspan="4">REVISION</td> </tr> <tr> <td>CHECKED</td> <td>L.W</td> </tr> <tr> <td>SCALE</td> <td>1:1 @A3</td> </tr> <tr> <td>DATE</td> <td>26/3/04</td> </tr> </table>	DRAWN	L.W	SCHEME	REVISION	CHECKED	L.W	SCALE	1:1 @A3	DATE	26/3/04
DRAWN	L.W	SCHEME	REVISION													
CHECKED	L.W															
SCALE	1:1 @A3															
DATE	26/3/04															